

CLASSIC MATCH

FOOSBALL



for iPad

QUICK START GUIDE

WELCOME TO THE WORLD OF FOOSBALL!



FOR MORE INFORMATION

WWW.NEWPOTATOTECH.COM

OR SEND US AN EMAIL AT
FOOSBALL@NEWPOTATOTECH.COM

One Year Limited Warranty. New Potato is committed to the quality of its products and great service to its customers. We provide the original purchaser of this product with an uncomplicated one year warranty. Using this product signifies your acceptance of the terms of this warranty, so please read our complete warranty details at www.newpotatotech.com/foosball/warranty before using this product.

©2012 New Potato Technologies, Inc. New Potato Technologies, Inc., New Potato, the New Potato logo, and Classic Match Foosball are trademarks of New Potato Technologies, Inc. All rights reserved. "Made for iPad" means that an electronic accessory has been designed to connect specifically to iPad and has been certified by the developer to meet Apple performance standards. Apple is not responsible for the operation of this device or its compliance with safety and regulatory standards. Please note that the use of this accessory with iPad may affect wireless performance. iPad is trademarks of Apple Inc., Registered in the U.S. and other countries.





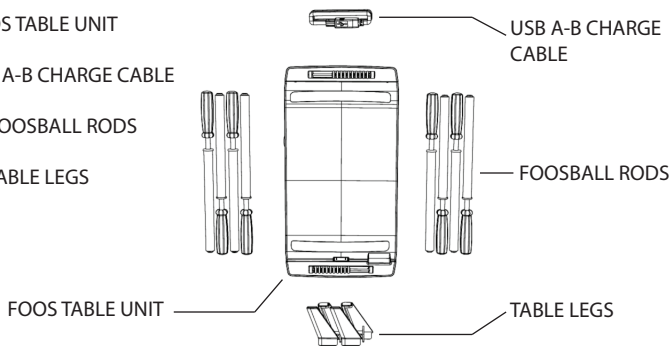
PACKAGE INCLUDES

- FOOS TABLE UNIT

- USB A-B CHARGE CABLE

- 8x FOOSBALL RODS

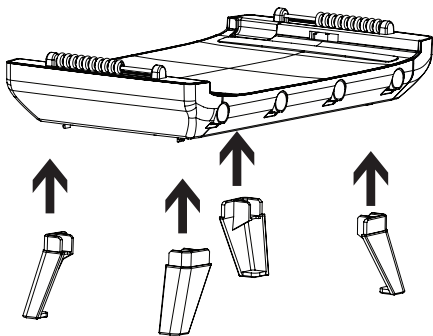
- 4x TABLE LEGS



INSTALL TABLE LEGS

EASY ASSEMBLY!

REMOVE LEGS FROM PACKAGING, INSERT EACH LEG INTO MATCHING HOLE ON THE BACK SIDE OF THE FOOS TABLE UNTIL THE MOUNTING FEATURE IS FLUSH.





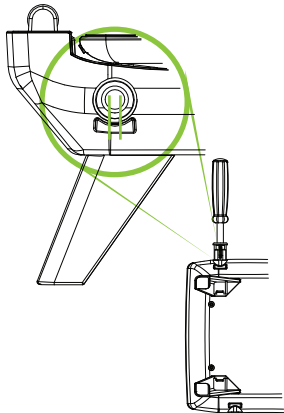
INSTALL FOOSBALL RODS

ALMOST THERE!

REMOVE THE FOOSBALL RODS FROM PACKAGING AND GENTLY INSERT EACH ROD INTO HOLES ON THE SIDES OF THE FOOS TABLE.

TIP:

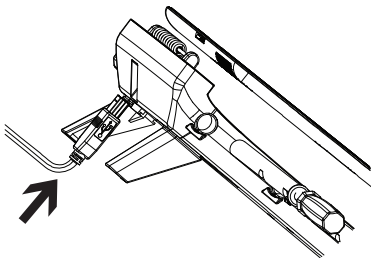
ALIGN THE SNAP FEATURE WITH THE GROOVE ON THE FOOS TABLE UNIT. INSERT EACH FOOSBALL ROD UNTIL IT SNAPS IN.



OTHER FEATURES

CLASSIC MATCH FOOSBALL ALSO SERVES AS A SYNC AND CHARGING DOCK FOR YOUR IPAD!

CONNECT THE INCLUDED USB A-B CABLE TO THE USB-B JACK ON THE BOTTOM OF THE UNIT.





OPERATION

DOWNLOAD THE FREE APP...

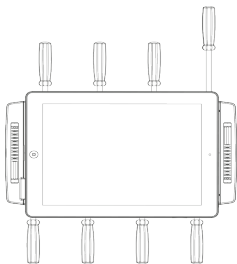
CLICK ON THE APP TO BEGIN PLAY.
TAP THE BOUNCING ICON OR THE
FOOSBALLS TO SERVE!



Available on the
App Store

TIP:

BEFORE EACH USE, SYNC THE
FOOSBALL RODS TO THE iPad
BY MOVING EACH ONE ALL THE
WAY IN AND OUT.



DISASSEMBLY

YOUR FOOSBALL TABLE CAN
BE DISASSEMBLED FOR
STORAGE OR TRAVEL!

TIP:

TO UNLOCK FOOSBALL RODS PLACE
A FLATHEAD SCREWDRIVER AGAINST
THE RELEASE POINT. APPLY PRESSURE
AND PULL THE FOOSBALL ROD OUT.

